



Main

Range of Product	Modicon STB distributed I/O solution
Product or Component Type	Standard analog output kit
Kit composition	STBACO8220 module STBXBA2000 base STBXTS2100, 6-terminal spring clamp connector STBXTS1100, 6-terminal screw type connector
Analogue output type	Current 4...20 mA
Analogue output number	2
Analogue output resolution	15 bits + sign

Complementary

Analogue output current	0.02 A
Response Time	40 ms plus update time
Cold swapping	Yes
Hot swapping fallback	Yes for standard NIMs
Fallback status	State 0 basic NIMs User configurable standard NIMs
Data format	EN 61131-2 IEC 61131-2
Update time	8 Ms
Integral linearity	+/- 0.05 %FS
Differential linearity	Monotonic
Absolute accuracy error	+/- 0.3 % of full scale 77 °F (25 °C)
Temperature Drift	+/-0.005 %/°C
Insulation between channels and logic bus	1500 V for 1 minute
Insulation between channels and actuator bus	200 V
Product Compatibility	Power distribution module STBPDT3100/3105 Mounting base STBXBA1000
[Us] rated supply voltage	24 V DC
Supply	Power distribution module
Current consumption	210 mA at 5 V DC for logic bus
Marking	CE
Overvoltage category	II

Status LED	Module status (RDY) 1 LED Green) Module error (ERR) 1 LED Red)
Maximum Depth	2.76 In (70 mm)
Maximum Height	0.72 In (18.4 mm)
Maximum Width	5.05 In (128.3 mm)

Environment

Product Certifications	UL FM Class 1 Division 2 CSA
Pollution degree	2 IEC 60664-1
Operating altitude	<= 6561.68 ft (2000 m)
IP degree of protection	IP20 conforming to EN 61131-2 class 1
Ambient air temperature for operation	32...140 °F (0...60 °C) without derating)
Ambient air temperature for operation	32...140 °F without derating
Ambient air temperature for storage	-40...185 °F (-40...85 °C) without derating
Ambient air temperature for storage	-40...185 °F without derating
Relative humidity	95 % 140 °F (60 °C) without condensation
Vibration resistance	3 gn 58...150 Hz 35 x 7.5 mm symmetrical DIN rail 5 gn 58...150 Hz 35 x 15 mm symmetrical DIN rail +/-0.35 mm 10...58 Hz
Shock resistance	30 gn 11 ms IEC 88 reference 2-27

Ordering and shipping details

Category	18215 - ADVANTYS STB I/O
Discount Schedule	PC32
GTIN	03595864156644
Nbr. of units in pkg.	1
Package weight(Lbs)	4.80 Oz (136 g)
Returnability	No
Country of origin	ID

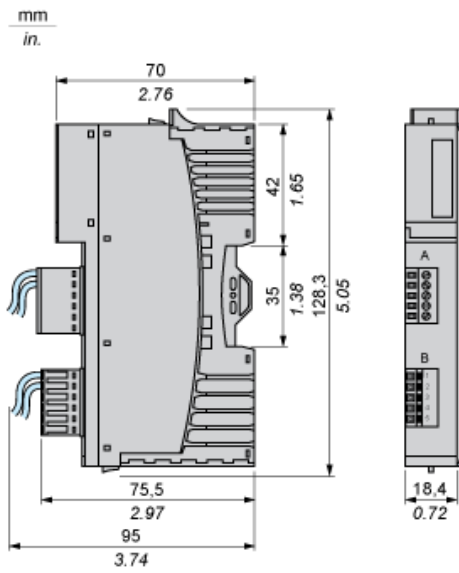
Packing Units

Unit Type of Package 1	PCE
Package 1 Height	1.06 In (2.7 cm)
Package 1 width	3.15 In (8 cm)
Package 1 Length	5.12 In (13 cm)

Offer Sustainability

California proposition 65	WARNING: This product can expose you to chemicals including: Lead and lead compounds, which is known to the State of California to cause cancer and birth defects or other reproductive harm. For more information go to www.P65Warnings.ca.gov
REACH Regulation	REACH Declaration
EU RoHS Directive	Pro-active compliance (Product out of EU RoHS legal scope) EU RoHS Declaration
Mercury free	Yes
RoHS exemption information	Yes
China RoHS Regulation	China RoHS Declaration
WEEE	The product must be disposed on European Union markets following specific waste collection and never end up in rubbish bins.

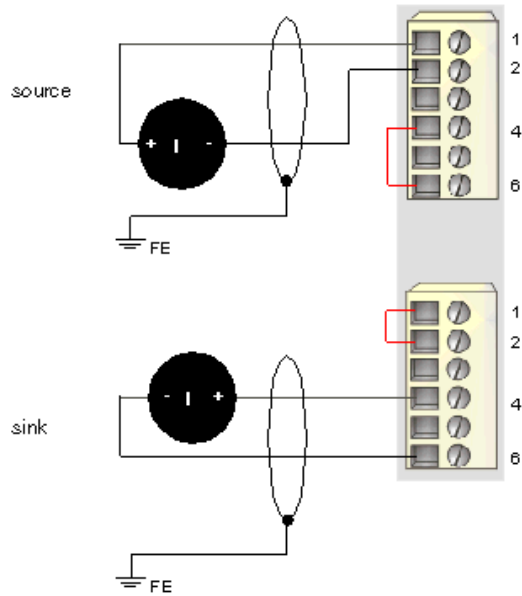
Dimensions



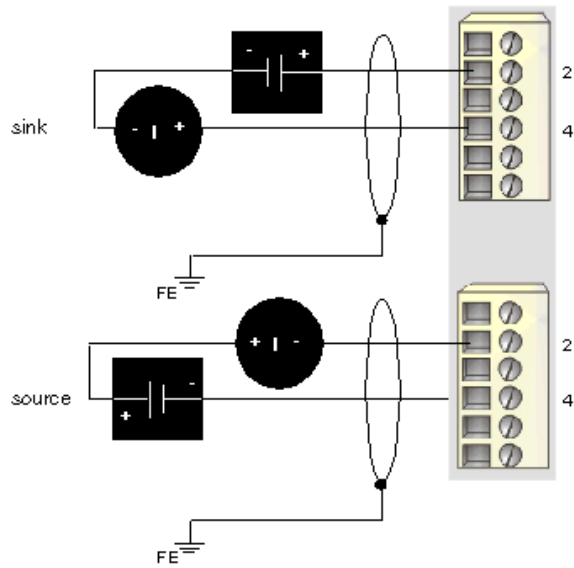
Wiring Diagrams

Examples

2 non-isolated analog actuators, 24 VDC supplied by the PDM



2 isolated analog actuators, external 24 VDC power supply



Pin	Top Connections	Bottom Connections
1	+24 VDC loop supply	+24 VDC loop supply
2	output to actuator 1	output to actuator 2
3	no connection	no connection
4	output channel return	output channel return

Pin	Top Connections	Bottom Connections
5	no connection	no connection
6	loop power return (to the module)	loop power return (to the module)

Product Life Status : **Commercialised**